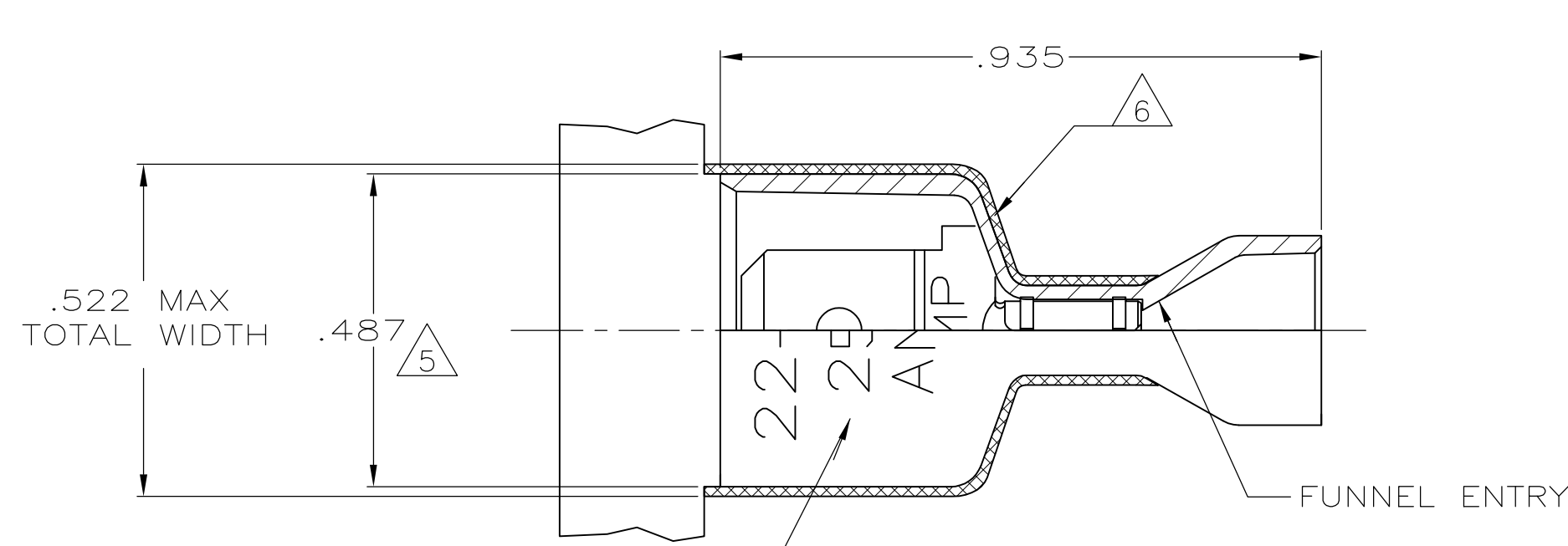
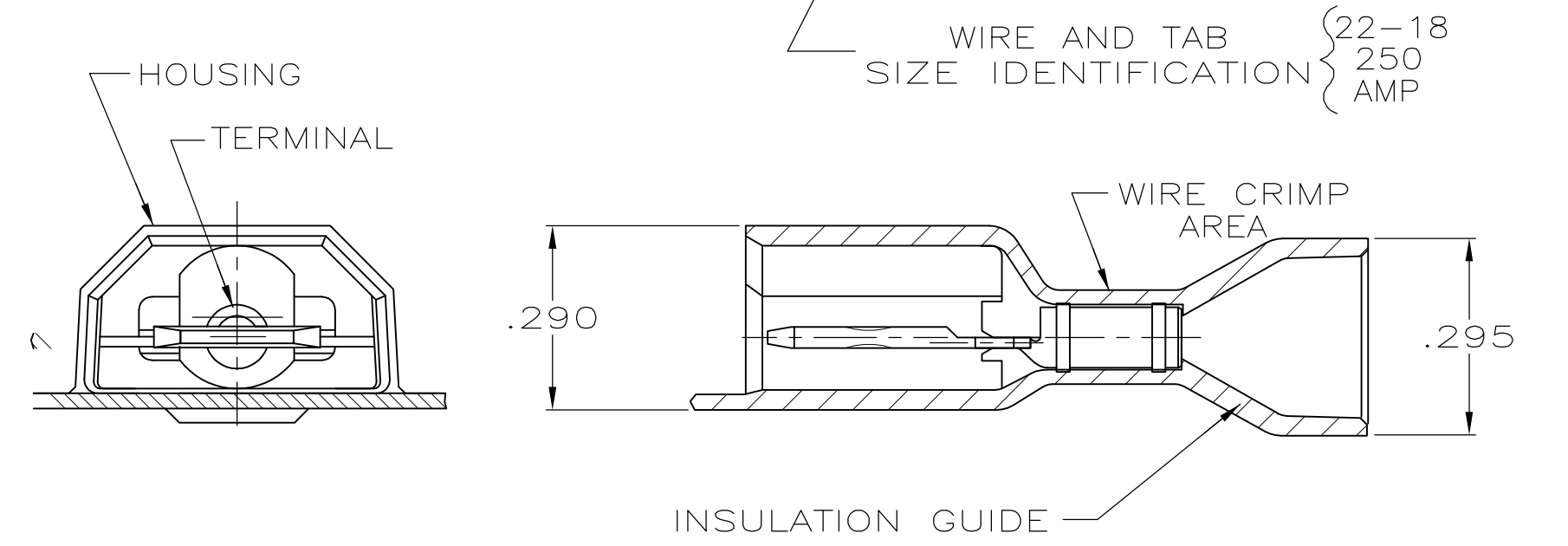


THIS DRAWING IS UNPUBLISHED. RELEASED FOR PUBLICATION
 © COPYRIGHT - By - ALL RIGHTS RESERVED.

LOC	DIST	REVISIONS			
P	LTR	DESCRIPTION	DATE	DWN	APVD
AF	50				
	D	REVISED PER ECR-13-004343	30JUL13	KH	KR



- 1 TAB DIMENSIONS $.032^{+.001}_{-.002}$ x .250
- 2 WIRE STRIP LENGTH .281
- 3 INSULATION SIZE .230 MAX DIA
- 4 CONTINUOUS STRIP ON REELS
- △5 DIMENSION DOES NOT INCLUDE TRIM BURR
- △6 .015 MAX CARRIER TRIM BURR PER SIDE IS ALLOWABLE IN THE SHADED AREA



HOUSING: NYLON, COLOR-RED TRANSLUCENT TAB: BRASS, TIN	2-521144-2
MATERIAL & FINISH	PART NO

THIS DRAWING IS A CONTROLLED DOCUMENT.	
DIMENSIONS: INCHES	TOLERANCES UNLESS OTHERWISE SPECIFIED:
	0 PLC ± -
	1 PLC ± -
	2 PLC ± -
	3 PLC ± .015
	4 PLC ± -
	ANGLES ± -
MATERIAL SEE TABLE	FINISH SEE TABLE

DWN JR RUTH 4/17/97	TE Connectivity NAME TAB ASSEMBLY, LID, ULTRA-FAST, .250 SERIES, 22-18 AWG	RESTRICTED TO	
CHK MS FEHER 4/17/97		SIZE	CAGE CODE
APVD J WORMAN 4/17/97		108-2017	114-2123
PRODUCT SPEC		A3	00779
APPLICATION SPEC	C-521144		REV D
WEIGHT	CUSTOMER DRAWING		SCALE 4:1
	SHEET 1 OF 1		